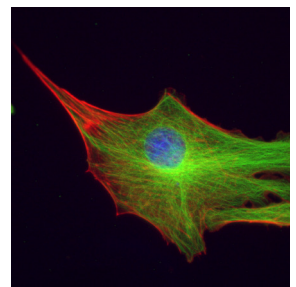
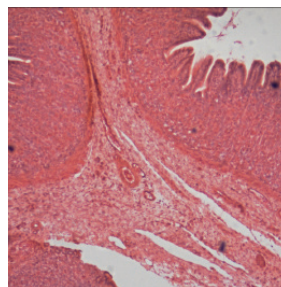
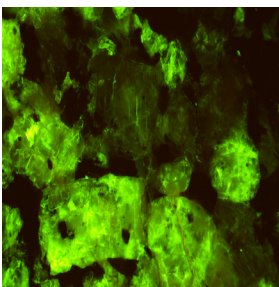


Invenio EIV

Microscope cameras



- High resolution
- IR sensitive
- Ultra-sensitive
- High-speed live video
- High-quality Sony sensor

Invenio EIV Cameras

Capture the intricate details of your microscopic specimens with our new Microscope Camera series, the Invenio EIV. This brand-new camera series makes advanced imaging technology available for organizations with limited budgets, without compromising quality and performance, fast support, and environmental responsibility.

Equipped with an 8-megapixel, 12-megapixel or 20-megapixel Sony CMOS sensor, this camera series delivers exceptional image quality and clarity, superb color fidelity, fast framerates, high sensitivity, and low noise. Such specs were previously only found in

very expensive cameras with exotic image sensors. Its fast frame rate ensures smooth video capture of dynamic processes. With a broad spectral range, it excels at capturing all kinds of specimens across the light spectrum, including NIR and NUV.

The camera seamlessly integrates with your microscope setup with its standard c-mount mounting and USB 3.0 interface. The included software provides advanced imaging features, frequently updated free of charge from the DeltaPix homepage. Elevate your microscopy endeavors with the Invenio EIV camera now.

High-quality, cost-effective and flexible

The new Invenio EIV microscope camera series has C-mount interface making it easily and cost-efficiently fit on most standard microscopes.

User-friendly Camera

Plug and play – the USB 3.0 interface provides high speed and ease of installation on any computer. This new camera series has a trigger input option.

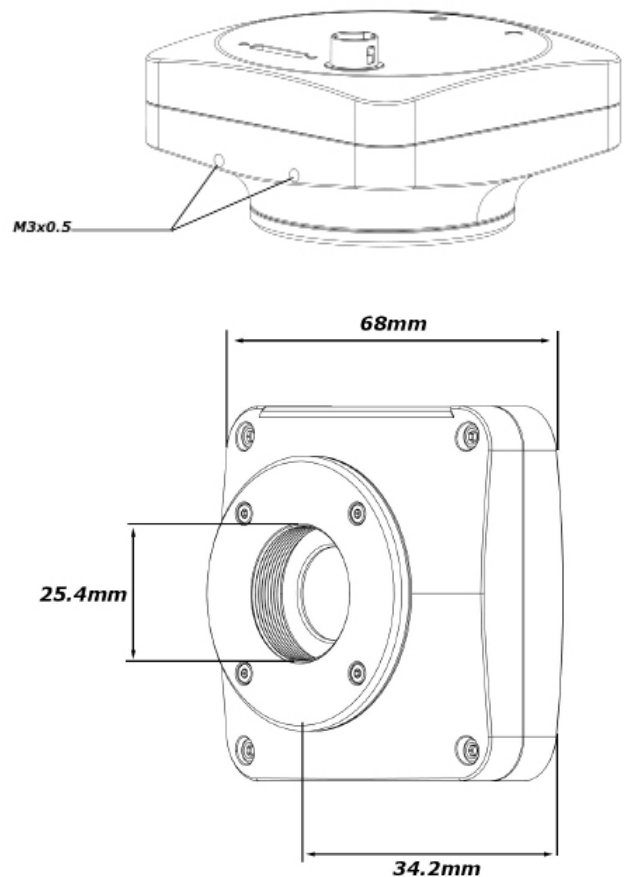
Applications

The Invenio EIV camera series come in 3 different resolutions and sensor sizes making this series versatile and suitable for many applications.

Typical applications:

- Material science
- Metrology
- Dark Field
- Bright Field
- Fluorescence
- Cytology
- Biology

Camera Dimensions



Ultra-high sensitive sensors

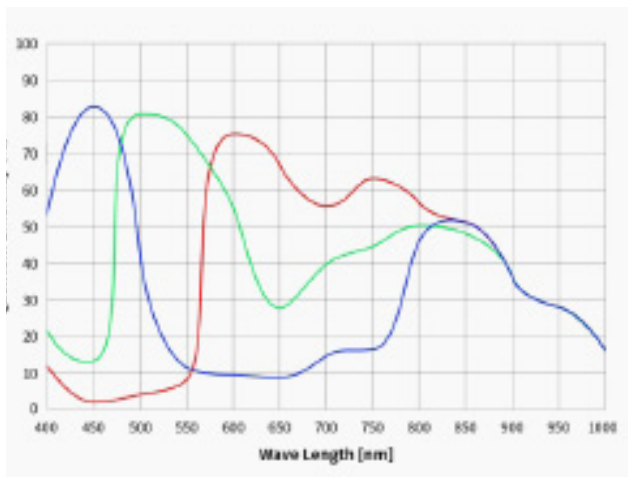
To support our range of microscope cameras, and digital microscopes, DeltaPix offers several accessories such as light sources, Microscope stands, manual stages, motorized stages, calibration sliders, mechanical adapters and much more. Every item offered is carefully selected by a highly skilled and experienced team, to ensure a high and reliable quality.

Discover details beyond the human eye

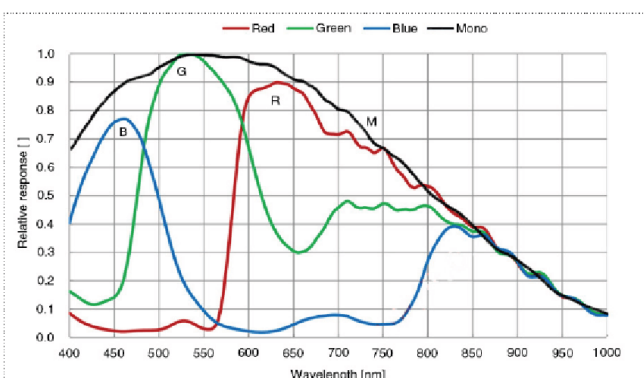
A very wide spectral range sets the Invenio EIV microscope camera apart. Boasting an extensive capability of up to a wavelength of 1000nm, these cameras enable imaging in both visible and near infrared spectra. Discover the hidden details and delve into a whole new realm of scientific exploration.

Spectral Sensitivity

Invenio 8EIV/12EIV/20EIV (color)



Invenio 20EIV (color and Monochrome)



Large feild of view

The Invenio 20ExIV microscope camera is the premium model in this series. It is based on a large Sony sensor that provides 20 megapixels of resolution and a global shutter making this camera ideal for any advanced microscopy applications. The Invenio 20ExIV is available in color and monochrome.

DeltaPix InSight Software

All Invenio EIV cameras Include DeltaPix InSight Basic software which is a powerful platform for camera control, precise measurements, and analyses. DeltaPix InSight allows expansion with a multitude choice of optional modules, for a wide range of advanced applications with an easy-to-use user interface. Available functions in the optional modules are for example extended focus, HDR for wide dynamic images, 3D measurements/ 3D topography, Roughness measurement, stitching, Object Counting, and much more.

Technical Highlight Invenio 8EIV:

- 1/1.8" Sony sensor
- 8.3 Megapixels
- Up to 45 FPS in full resolution
- Spectral Sensitivity up to 1000nm
- External trigger line for precise timing of image acquisition.

Technical Highlight Invenio 12EIV:

- 1/1.6" Sony sensor
- 12.5 Megapixels
- Up to 27 FPS in full resolution
- Spectral Sensitivity up to 1000nm
- External trigger line for precise timing of image acquisition.

Technical Highlight Invenio 20ExIV (C or M):

- 1.1" Sony sensor
- 20 Megapixels
- Global shutter
- Spectral Sensitivity up to 1000nm
- External trigger line for precise timing of image acquisition.

Specifications

Invenio EIV cameras				
Camera model	Invenio 8EIV	Invenio 12EIV	Invenio 20ExIV	Invenio 20EMxIV
Last preview resolution	3840x2160 @45FPS 1920x1080 @70FPS	3536 x 3536 @27FPS 1768 x 1768 @ 60FPS	4496x4496 @17FPS 2240x2240@63FPS 1120x1120@63FPS	4496 x 4496 @17.5FPS 2240 x 2240@64.4FPS 1120 x 1120@64.4FPS
Still image resolution	8.3 Mpixels (3840x2160) 2 Mpixels(1920x1080)	12.5 Mpixels (3536x3536) 3.1 Mpixels (1768x1768)	20Mpixels (4496x4496) 5Mpixels (2240x2240) 1.25Mpixels(1120x1120)	
Sensor size	1/1.8" Sony Exmor 7.68mm x 4.32mm	1/1.6" Sony Exmor (7.07x7.07)	1.1" Sony sensor 12.3mm x 12.3mm	
Pixel size	2 µm x 2 µm	2 µm x 2 µm	2.74µm x 2.74µm	
Exposure size	50µs-10 Seconds	30µs-15 Seconds	50µs-10 Seconds	
Gain	1-50			
Sensitivity	810mv with 1/30s		1580mv with 1/30s	2600mv with 1/30s
Shutter	Electronic rolling shutter		Global shutter	
Peak OE	86% @ 520nm			
SNR	42dB			
Dark current	0.15mV			
Data format	8 bit RGB / 12bit RGB			
Lens Mount	C			
White balance	Automatic, manual or spot white balance			
Data interface	USB 3.0 and One optical isolated trigger input			
Software	DeltaPix InSight Basic included			
Data format and compression	24-bit uncompressed Tiff, 24bit JPEG compressed and 24-bit loss-less compressed JPEG2000			
Minimum PC requirements	Intel i5 9 th gen or newer CPU 16 GB RAM 250 GB SSD drive USB 3.0 port Windows 10 and 11 DeltaPix InSight works with Windows 64Bits A high-resolution monitor			
Power	USB ~ 4W			
Dimension	68x68x32.4mm			
Weight	253g			

01/2024

Head Quarter & Sales

Hassellunden 16
DK 2765 Smorum, Denmark

+45 4676 0205
info@deltapix.dk