

## DP/FL Microscope series





- Quintuple turret phase contrast unit with 10X/20X/40X/100X infinity plan phase contrast objective for phase contrast and bright field observation.



- Dark field condenser (dry) available to 4X-40X Objective.
- Dark field condenser (wet) available to 100X Objective.



- 10X/20X/40X/100X Independent Phase Contrast Unit.



- Infinity Plan Objectives





FL5000 Fluorescence Microscope



FL5000 LED Fluorescence Microscope

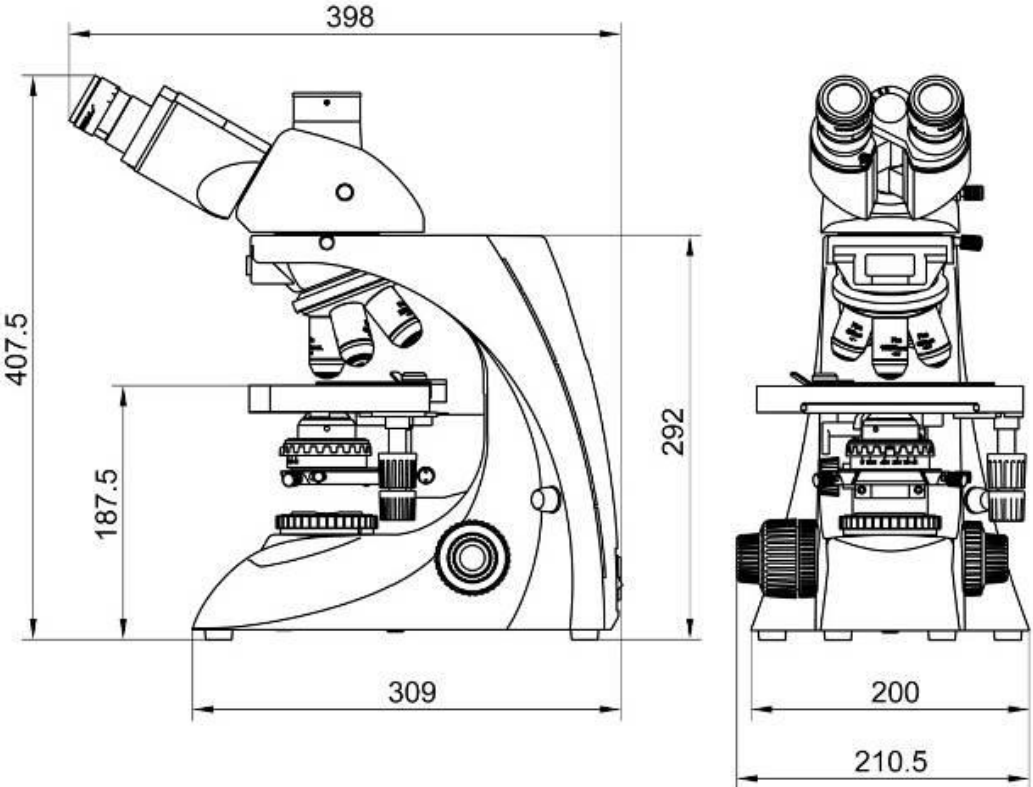
- Six-holes disk fluorescence unit, More fluorescence filters can be supplied



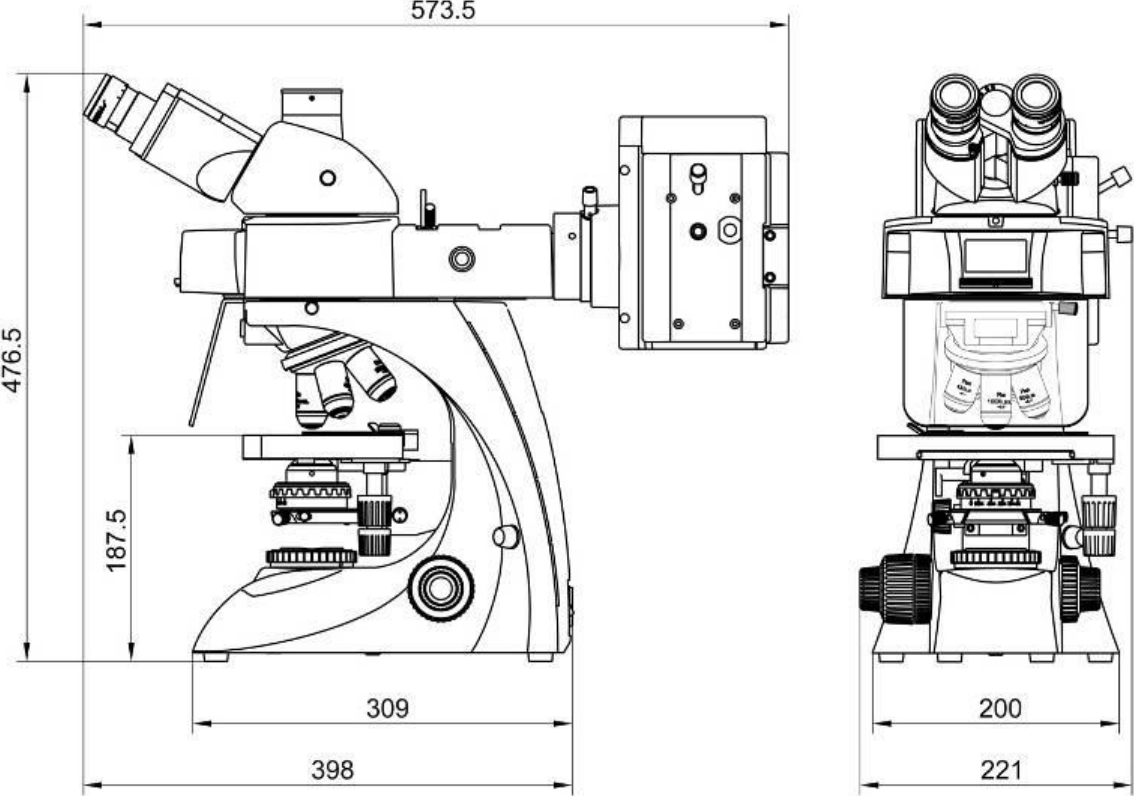
- Polarizer, analyzer for simple polarizing unit.



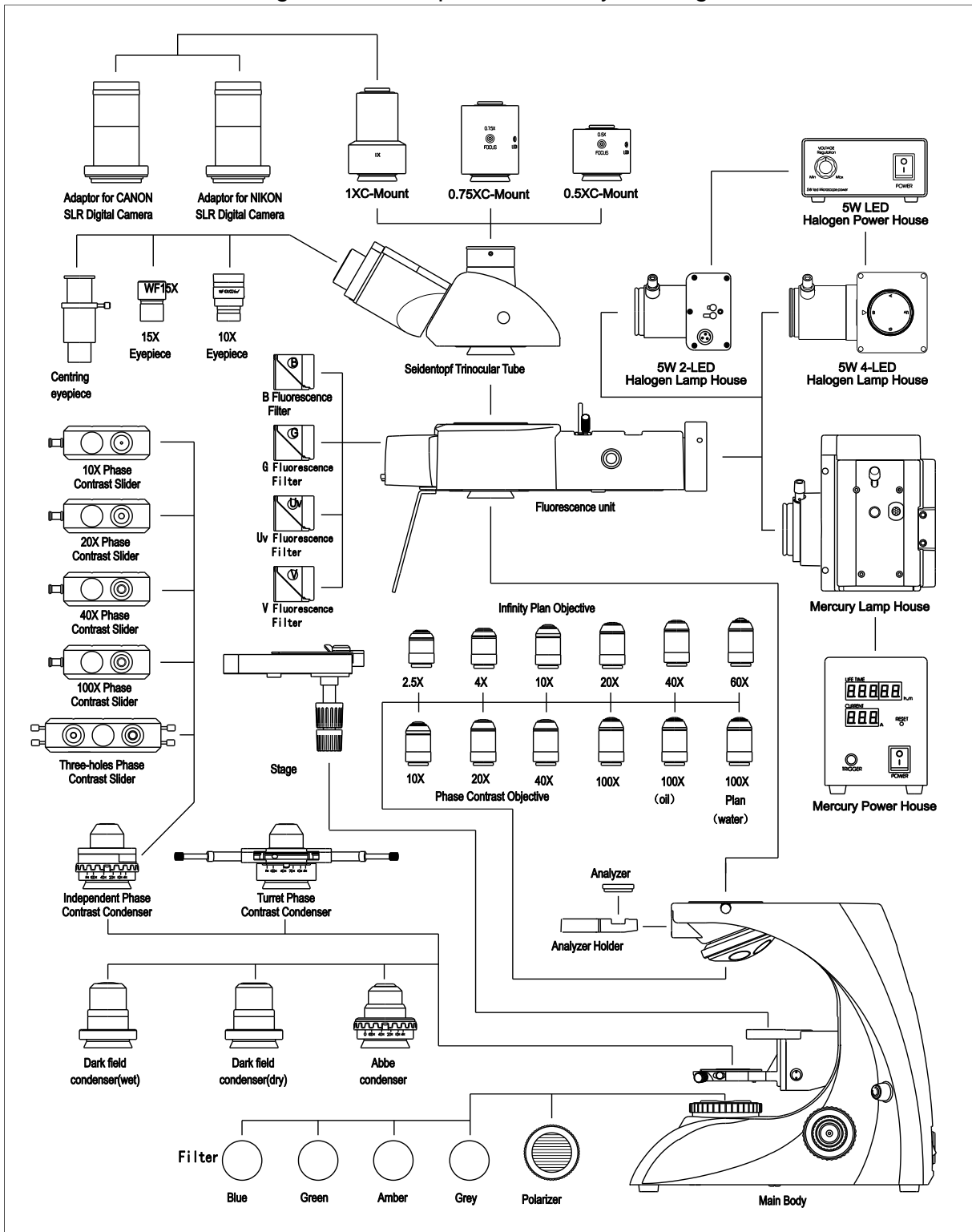
DP5000 Biological Microscope Size(mm)



DF5000 Fluorescence Microscope Size(mm)



# DP/FL5000 Series Biological Microscope General Layout Diagram



## DP/FL5000 Series Biological Microscope Outfits

Items	Specification	Outfits	
Eyepiece	WF10× / 20mm (23.2mm)	●●	
	PLAN 4× / 0.10	W.D.=12.10mm	●
	PLAN 10× / 0.25	W.D.=4.64mm	●
	PLAN 20× / 0.40(S)	W.D.=2.41mm	○
	PLAN 40× / 0.66(S)	W.D.=0.65mm	●
	PLAN 100× / 1.25(S, Oil)	W.D.=0.12mm	●
	PLAN 2.5× / 0.07	W.D.=8.47mm	○
	PLAN 60× / 0.80(S)	W.D.=0.33mm	○
	PLAN 100× / 1.15(S, W)	W.D.=0.19mm	○
Seidentopf Binocular Head	Inclined 30°, Rotatable 360°, Interpupillary Distance:48mm-75mm	●	
Seidentopf Trinocular Head	Inclined 30°, Rotatable 360°, Interpupillary Distance:48mm-75mm, Light Distribution: 100: 0 / 80:20	○	
Nosepiece	Quintuple	●	
Mechanical Stage	Stage Size: 175mm×145mm,Travel: 78mm×55mm Coaxial Coarse and Fine Focusing Knobs Two Slide Holder	●	
	Integrated stage Stage size: 182 mm×140mm,Travel range: 77mm×52mm Two-slide holder	○	
Condenser	Abbe N.A. 1.25 with iris diaphragm.	●	
	Swing Out Condenser, N.A. 0.9/0.13, with iris diaphragm.	○	
Koehler Illumination	12V/20W Halogen Lamp	○	
	Wide voltage input: 100V~240V 6V/30W Halogen Lamp	○	
	Field diaphragm , center adjustable 3W-LED Illumination	●	
Filter	Blue	●	
	Green /Amber /Grey	○	
C-mount	1×/0.5×/0.75× C-mount (focus adjustable)	○	
Fluorescence Attachment	Epi fluorescence unit ( six-hole disc media which can be fixed with Uv /V/B/G and another filters) ,100W mercury lamp.	○	
	Epi fluorescence unit ( six-hole disc media which can be fixed Uv /V/B/G), 5W-LED fluorescence lamp.	○/●*	
Phase Contrast Unit	Quintuple hole turret 10× /20× /40× /100× phase contrast objective	○	
	Independent slot 10× /20× /40× /100× phase contrast objective	○	
Dark Field Unit	Dark field condenser (dry), apply to 4× - 40× objective	○	
	Dark field condenser (wet), apply to 4X-100× objective <b>Note:</b> Using wet dark field condenser must add oil immersion	○	
Polarizing Attachment	Analyzer / Polarizer	○	

Note: "●"In Table Is Standard outfits, "○" Is Optional Accessories, \* Included in FL5000

Packing Size: 542mm×265mm×355mm      Gross Weight: 12 kgs      Net Weight: 10kgs